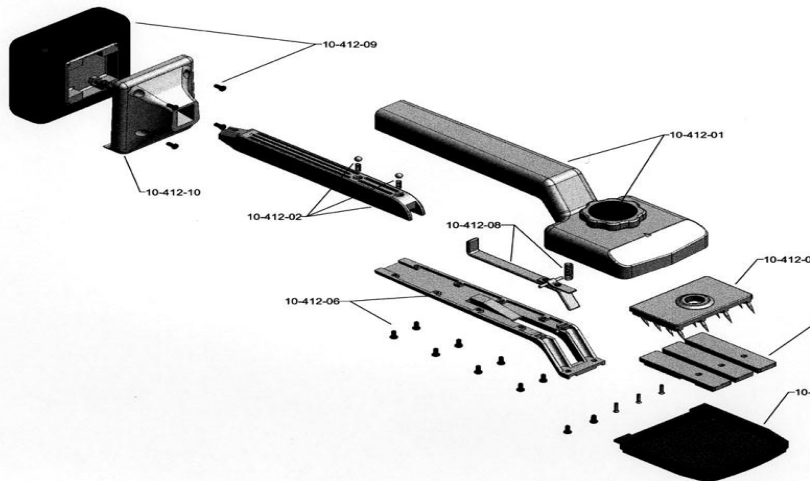


**Roberts**  
**Part #** **Product Description**

**G.T. KNEE KICKER 10-412K, 10-412GRK, 10-412RDK,  
 10-412(Silver) & 10-412BKK(Black) (smooth grip)**

10-412-01A	Main body & dial assembly-Silver
10-412BK-01	Main body & dial assembly-Black
10-412-02A	Extension channelwith 2 balls, 2 springs, bolt, washer, & nut
10-412-03	Nap Grip inserts (set of 3 with screws)
10-412-04	Base plate assembly
10-412-05	Pin cover
10-412-06A	Bottom plate with 10 screws-Silver
10-412BK-06	Bottom plate with 10 screws-Black
10-412-07	Kicker teeth sold separately (16)
10-412-08A	Trigger assembly with spring
10-412-09	Bumper Pad only with4 screws
10-412-10A	Bumper Body (No Pad)-Silver
10-412BK-10	Bumper Body (No Pad)-Black
10-412-11	Nap Grip Insert Screws (50)
10-412-12	Bumper Screws (50)
10-412-22	Carrying Case for 10-412 (not shown)
10-422-09	2-3/4" Thick Kicker Bumper with 4 screws



**Roberts**  
**Part #** **Product Description**

**GT KNEE KICKER 10-422BK(Black)**

10-422-01A	Main body & dial assembly-Black
10-412-02A	Extension channel with 2 balls, 2 springs, washer&nut
10-412-03	Nap-Grip Inserts (set of 3 withscrews)
10-501-07A	Base plate assembly
10-501-08	Pin cover
10-422-06A	Bottom plate with 10 screws
10-412-07	Kicker teeth (16)
10-422-08	Trigger assembly with spring

10-422-09 Thick Bumper Pad (2-3/4") with 4 screws  
10-412-12 Bumper screws (50)  
10-450-22 Carrying Case (not shown)

