



REPLACEMENT PARTS PRICE LIST

Effective: April 1, 2012

CONFIDENTIAL

Supersedes any previously published Parts List

Roberts Consolidated Industries, Inc
1001 Broken Sound Parkway NW, Suite A
Boca Raton, FL 33487
www.robertsconsolidated.com

To order call (866) 435-8665 or fax (561) 241-2830



Table of Contents

Stretchers & Accessories	Pages	1-3
10-117, 10-128		1
10-237, 10-237V, 10-258		2
10-254, 10-254V		3
Knee Kickers	Pages	4-8
		4
		5
		6
		7
		8
Seam Rollers and Heat Bond Irons	Pages	9-12
Jamb Saws, Staplers & Heat Guns	Pages	13-16
Tear Out Tools	Pages	17-20
VCT & Laminate Tools	Pages	21-24
Material Handling Equipment	Pages	25-27
Trimmers & Cutters	Pages	28-32



Tool Repair Policy

In order to enable you to provide tool repair service to your customer, ROBERTS has developed the following policy. It applies to three repair service conditions:

1. "In Warranty" repairs
2. "Out of Warranty" repairs
3. Non-repairable or worn-out tools

1. Tools In Warranty:

- a. ROBERTS WILL REPAIR OR REPLACE, AT OUR OPTION, ANY TOOL MANUFACTURED BY ROBERTS WHICH IS WITHIN THE WARRANTY PERIOD, PROVIDED IT IS RETURNED WITH A PROOF OF PURCHASE TO ROBERTS CONSOLIDATED, PREPAID. Exceptions to this policy include cases of obvious customer abuse or where proof of purchase is missing. In such cases, the tool will be repaired (if repairable) at the normal charge and returned to you.
- b. Hand tools such as hammers, tape measures, and disposable items such as knife and saw blades, are not covered by the warranty.

NOTE: The whole tool must be returned when requesting an "In Warranty" repair. ***Any alteration or disassembly of a ROBERTS tool voids all warranties.***

Distributors are not authorized to furnish replacement or refund without expresses authorization by ROBERTS

2. Tools Out Of Warranty:

- a. ROBERTS will repair "Out Of Warranty" tools according to the following schedule:
 - (1) Any tool requiring repairs in excess of 50% of the current list price will be deemed non-repairable (see Abused or Worn Out Tools).
 - (2) Heat Bond Irons will normally be replaced with a refurbished unit (at ROBERTS option).

3. Abused or Worn Out Tools:

- a. Tools that show obvious abuse or damage through neglect (example: rusty tools) will not be accepted for "In Warranty" repairs, but deemed out of warranty and repaired at the normal charge plus postage (if required).
- b. If a tool is non-repairable, the distributor will be notified by a Request for Disposition. If the tool is to be returned, it will be done at the usual shipping and handling fee. If no disposition is given within 30 days, ROBERTS has the option to dispose of the tool.

**PLEASE CONTACT ROBERTS CUSTOMER SERVICE DEPARTMENT
PRIOR TO RETURNING ANY TOOLS TO ROBERTS AT 1-866-435-8665**

Roberts Parts

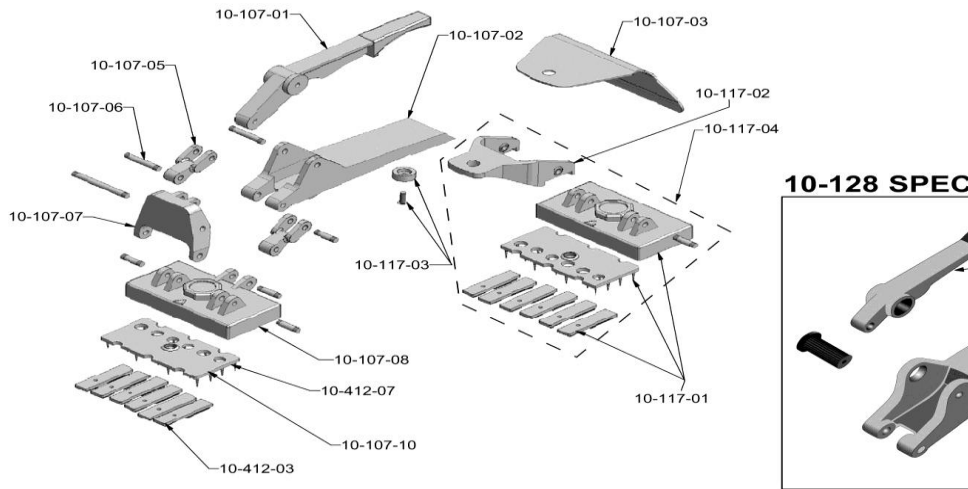
Part #	Product Description
--------	---------------------

10-117 & 10-128 Pattern Matching & Seam Repair Stretcher

10-107-02	Frame assembly
10-107-03	Blade
10-107-05	Link assembly (pair)
10-107-06	Pivot pins (set of 8)
10-107-07	Driver assembly
10-107-08	Head assembly w/base plate, gripper inserts & screws
10-107-09	Head assembly only for -10-107- 08
10-107-10	Base plate assembly only for -10-107-08
10-117-01	Rear head assemblyw/base plate, gripper inserts&screws
10-117-02	Rear driver assembly
10-117-03	Cup washer, screw, Allen wrench
10-117-04	Assembled Seam Repair Attachment, complete with Head, Driver, Blade Pivot Stud, Screws & Washers
10-117-05	Blow Mold Case - RED
10-412-03	Gripper inserts (set of 3)
10-412-07	Teeth, Set of 16

UNIQUE PARTS LIST 10-128

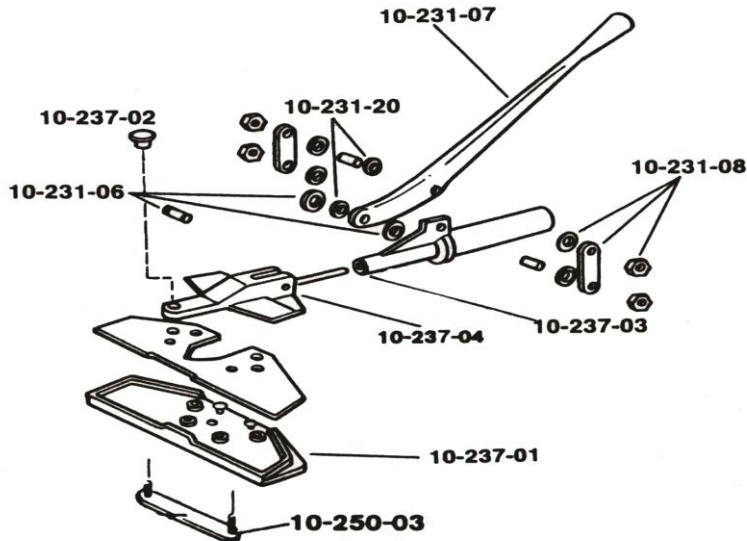
10-128-01 Handle assembly



Roberts
Part # **Product Description**

10-237 & 10-237V Junior Power Stretcher

10-237-01	Complete pin plate assembly with head cover, height adjusting bar, screws and washers
10-237-02	Head mounting knob
10-237-03	Neck casting bushing
10-250-03	Height adjusting bar assembly
10-237-04	Head casting with steel thrust rod
10-231-06	Head attachment pins & washers
10-231-07	Lever handle w/bushings
10-412-07	Replacement teeth (sold separately) set of 16
10-231-08	Pair of connecting links with studs nuts and washers
10-231-20	Bushings for lever handle
10-237-50	Power unit assembly



Roberts
Part # **Product Description**

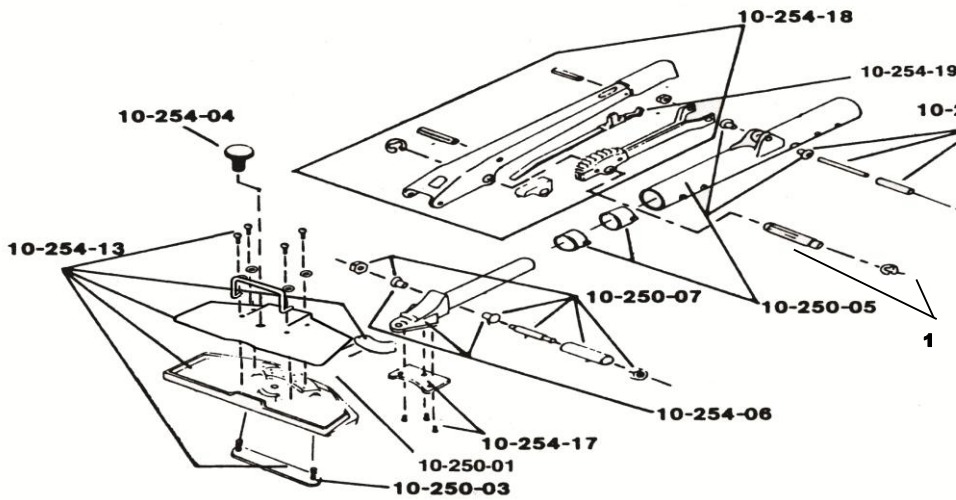
10-258 Power Stretcher Tail

10-258-01	Tail Pin
-----------	----------

Roberts
Part # **Product Description**

10-254 & 10-254V Power-Lok Stretcher

10-250-01A	Red Plastic Head Cover & Steel Handle with Screws and Washers
10-250-02	Screws and washers for head cover (50)
10-250-03	Height adjusting bar assembly
10-254-04	Head mounting knob
10-250-05	Main body assembly with nylon & bronze bushings
10-254-06	Head mount assembly
10-250-06B	Head Mount Bracket with Screws (5) (not shown)
10-250-07	Head pivot assembly consisting of 1 pivot tube, 1 stud, 2 nuts, and 2 bushings
10-250-12	Link pivot assembly (sold separately) (consists of 1 pivot tube, 1 stud, 2 nuts and 2 bushings)
10-254-13	Complete pin plate assembly head cover, thrust bearing, height adjusting bar, screws & washers
10-250-14	Nylon bushings (1 pair)
10-254-14	Saddle
10-254-17	Retainer plate & screws
10-254-18	Complete locking handle assembly
10-254-19	Actuator rod
10-254-50	Power Assembly Unit
10-254-20	C Clips (2) + Bushing (2) + PIN (1)

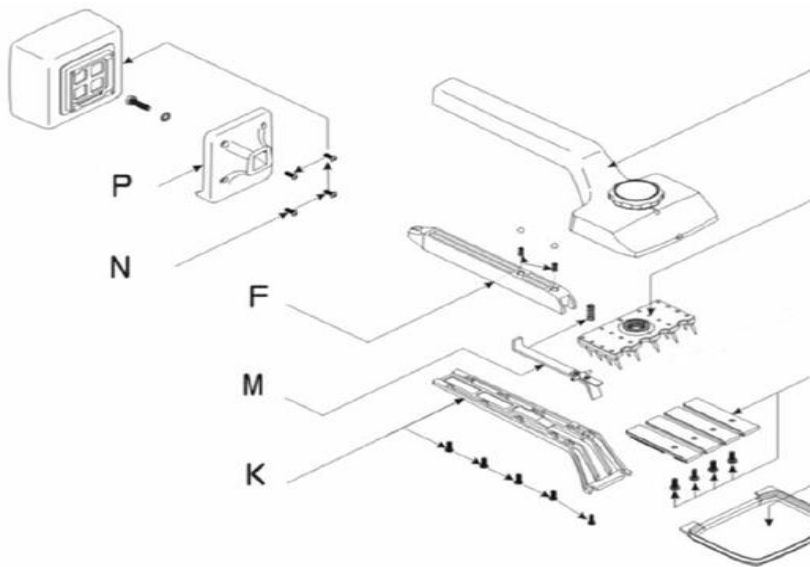


Roberts
Part # **Product Description**

GT2000 XL Knee Kicker 10-2000GT

Illus.

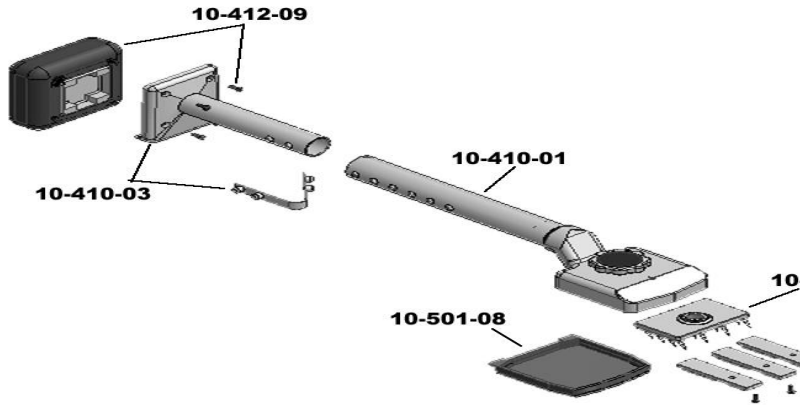
10-2000-01	E	Main Body & Dial Assembly, 10-2000
10-2000-02	F	Extension Channel, with 2 Springs, 2 Balls, Bolt and Washer, 10-2000
10-2000-03	G	Kicker Nap Grip Inserts, Set of 4, with 4 Screws, 10-2000
10-2000-04	H	Kicker Pin Plate Assembly, 10-2000
10-2000-05	J	Kicker Pin Plate Cover, 10-2000
10-2000-06	K	Bottom Plate, with 10 Screws, 10-2000
10-2000-08	M	Kicker Trigger Assembly, with Spring, 10-2000
10-2000-09	N	Progressive Kicker Bumper, with 4 Screws, 10-2000
10-2000-10	P	Bumper Body, 10-2000
10-2000-11		50 Self Tapping Screws (for Nap Grip)
10-2000-12		50 Self Tapping Screws (for Bumper Body)



Roberts
Part # **Product Description**

ADJUSTABLE KNEE KICKER 10-410

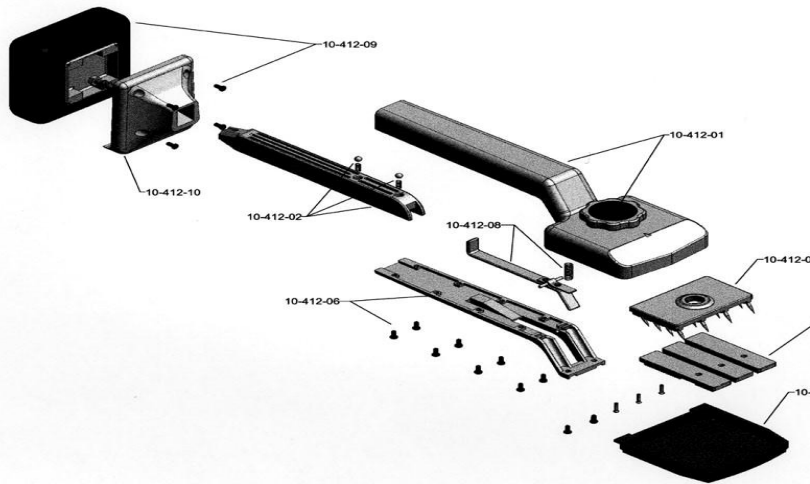
10-410-01	Head and Tube Assembly
10-412-03	Nap Grip Inserts with 3 Screws
10-412-09	Bumper with 4 Screws
10-450-22	Carrying Case
10-501-07A	Base Plate Assembly with Teeth
10-501-08	Kicker Pin Cover



Roberts
Part # **Product Description**

**G.T. KNEE KICKER 10-412K, 10-412GRK, 10-412RDK,
 10-412(Silver) & 10-412BKK(Black) (smooth grip)**

10-412-01A	Main body & dial assembly-Silver
10-412BK-01	Main body & dial assembly-Black
10-412-02A	Extension channelwith 2 balls, 2 springs, bolt, washer, & nut
10-412-03	Nap Grip inserts (set of 3 with screws)
10-412-04	Base plate assembly
10-412-05	Pin cover
10-412-06A	Bottom plate with 10 screws-Silver
10-412BK-06	Bottom plate with 10 screws-Black
10-412-07	Kicker teeth sold separately (16)
10-412-08A	Trigger assembly with spring
10-412-09	Bumper Pad only with4 screws
10-412-10A	Bumper Body (No Pad)-Silver
10-412BK-10	Bumper Body (No Pad)-Black
10-412-11	Nap Grip Insert Screws (50)
10-412-12	Bumper Screws (50)
10-412-22	Carrying Case for 10-412 (not shown)
10-422-09	2-3/4" Thick Kicker Bumper with 4 screws

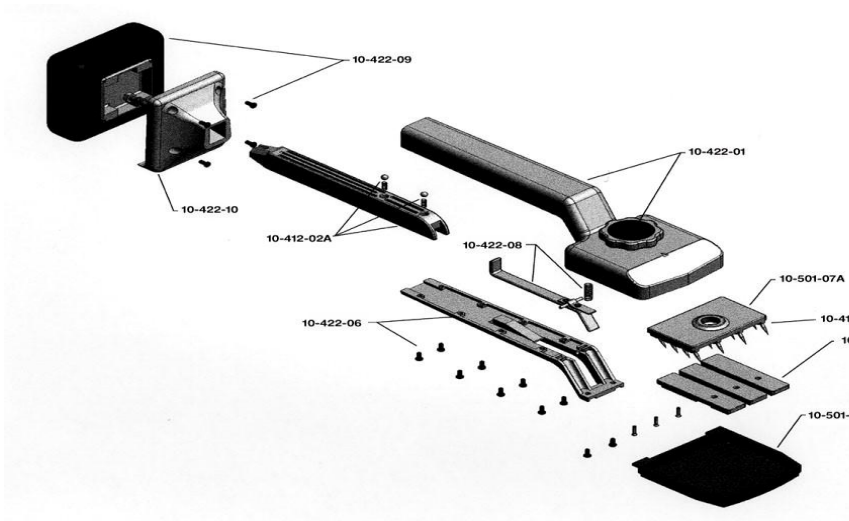


Roberts
Part # **Product Description**

GT KNEE KICKER 10-422BK(Black)

10-422-01A	Main body & dial assembly-Black
10-412-02A	Extension channel with 2 balls, 2 springs, washer&nut
10-412-03	Nap-Grip Inserts (set of 3 withscrews)
10-501-07A	Base plate assembly
10-501-08	Pin cover
10-422-06A	Bottom plate with 10 screws
10-412-07	Kicker teeth (16)
10-422-08	Trigger assembly with spring

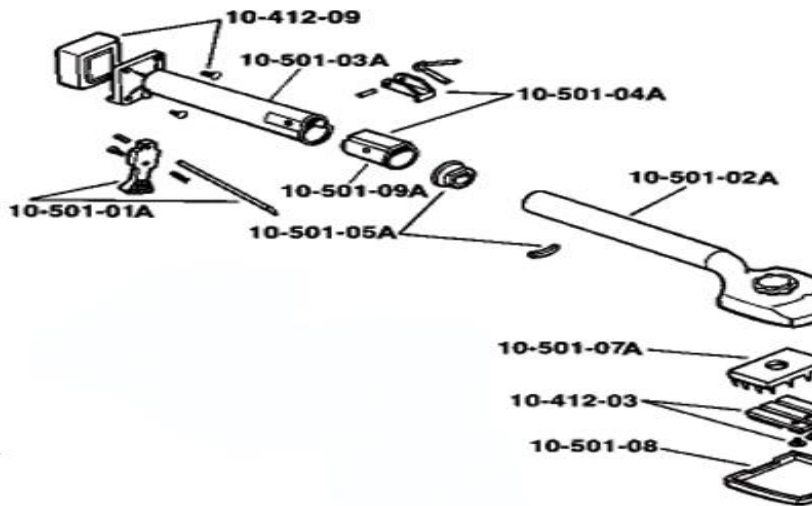
10-422-09 Thick Bumper Pad (2-3/4") with 4 screws
10-412-12 Bumper screws (50)
10-450-22 Carrying Case (not shown)



Roberts
Part # **Product Description**

G.T. KNEE KICKER 10-501

10-412-03	Nap grip inserts, set of 3 (with screws)
10-412-09	Bumper Pad only with 4 screws
10-412-11	Nap-Grip insert screws (50)
10-412-12	Bumper screws (50)
10-501-02A	Head and tube assembly
10-501-03A	Bumper body, inner tube assembly, trigger
10-501-01A	Trigger spring, screw, set screw rod
10-501-05A	Collar and retaining key
10-501-07A	Base plate assembly
10-501-08	Pin cover
10-501-09A	Anti-rotation ring
10-501-04A	Pawl, spring, screw, anti-rotation ring
10-450-22	Carrying Case



Roberts

Part #

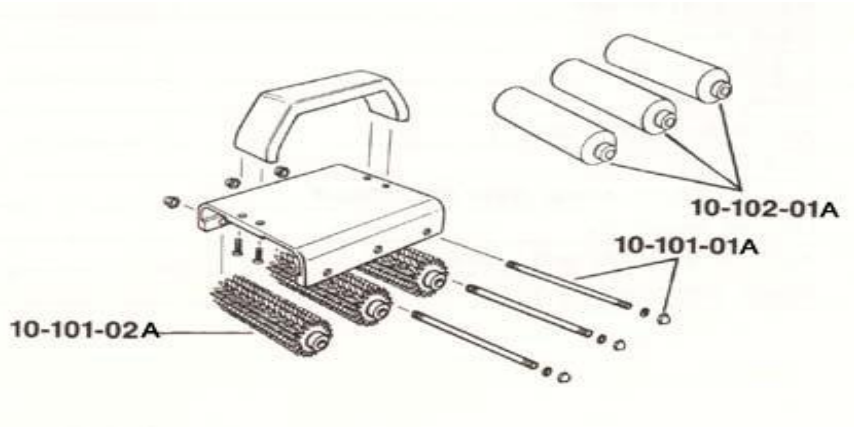
Product Description

CARPET SEAM ROLLERS 10-101, 102

10-101-01A Shaft and nuts

10-101-02A Set of star wheels and spacer (1 roller)

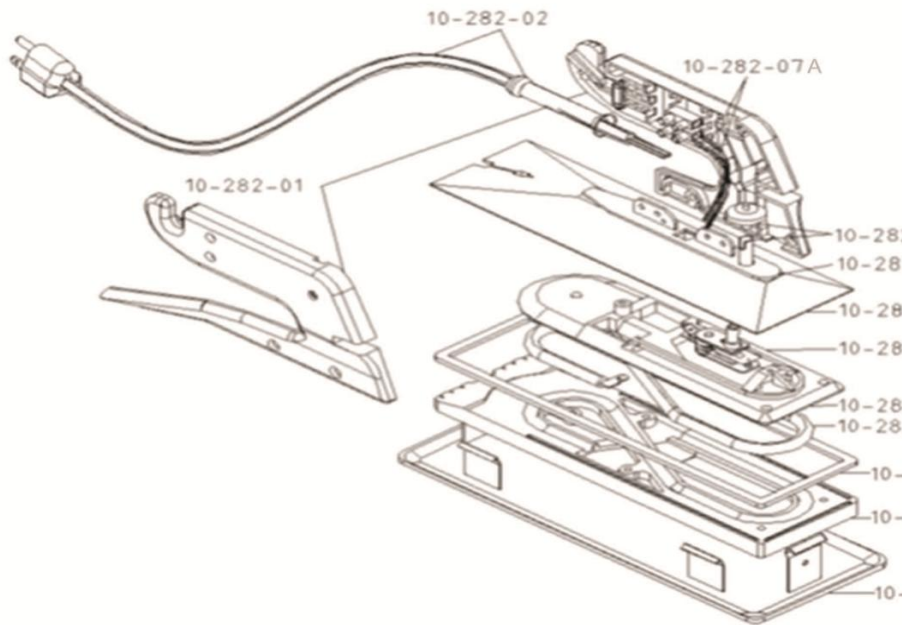
10-102-01A Wooden rollers (3)



Roberts
Part # **Product Description**

DELUXE HEAT BOND IRON 10-282, 10-282G

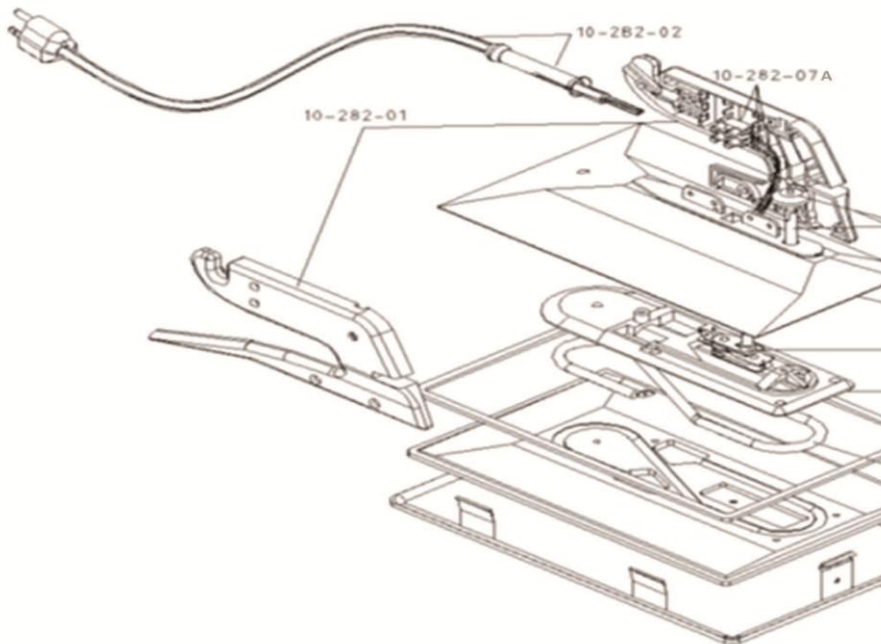
10-282-01	Handle Set w/ (7) Screws
10-282-02	Cord Set Includes Cord Relief Spring, Wire Connection Clip and (2) Screws
10-282-03A	Thermostat
10-282-04	Top Sole Plate w/ (5) Screws
10-282-05	Iron sole plate, flat, teflon (1)
10-282-06	6" Bottom Sole Plate, Non-stick, Grooved
10-282-07A	Internal Wire Set (2 pieces)
10-282-08	Calibration Knob
10-282-09	Heat Shield with (2) Screws & (1) Washer
10-282-10	Gasket (top of Heat Shield for Handle Mount)
10-282-11	Gasket (Heat Shield & top of Sole Plate) Sole Plate/Shield
10-282-12A	Heating Element
10-282-13	Fused Wire Assembly (not pictured)
10-282-14	(50) Screws For Handle (not pictured)
10-282-15	(50) Screws for Top Sole Plate & Heat Shield (not pictured)
10-177-06	Iron Holder



Roberts
Part # **Product Description**

HEAT BOND IRON 10-286G

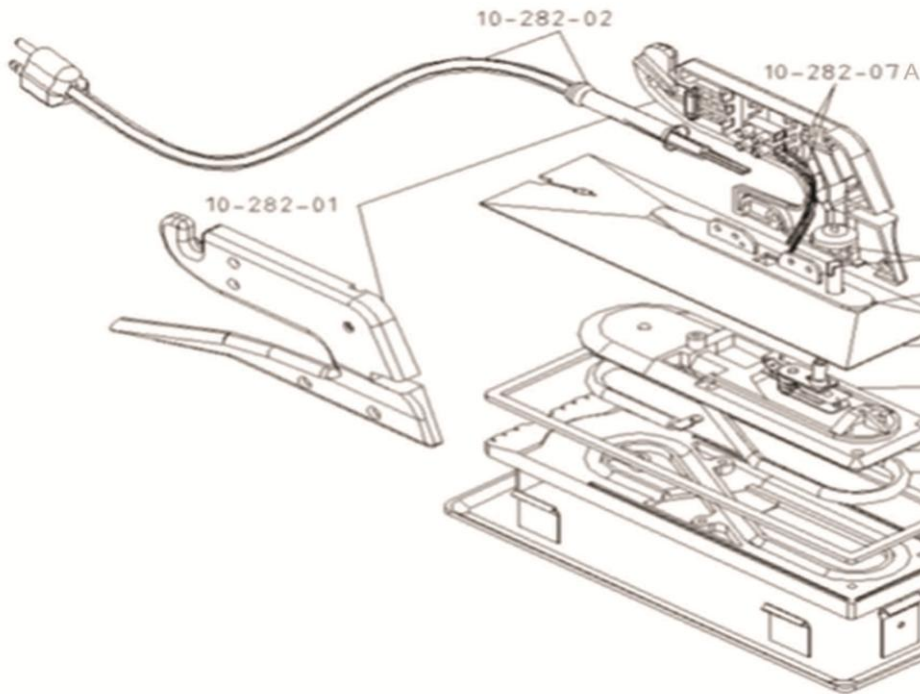
- 10-282-01 Handle Set w/ (7) Screws
- 10-282-02 Cord Set w/ Cord Relief Spring, Wire Connection Clip & (2) Screws
- 10-282-03A Thermostat w/ Extension Post for Control Knob
- 10-282-04 Top Sole Plate w/ (5) Screws
- 10-282-05 Bottom Sole Plate, Non-stick, Flat
- 10-282-06 Bottom Sole Plate, Non-stick, Grooved (not pictured)
- 10-282-07A Internal Wire Set (2 pieces)
- 10-282-08 Calibration Knob
- 10-286-09A Heat Shield w/ (2) Screws & (1) Washer
- 10-282-10 Gasket (top of Heat Shield for Handle Mount)
- 10-286-11A Gasket (between Heat Shield & top of Sole Plate)
- 10-282-12A Heating Element
- 10-282-13 Fused Wire Assembly (not pictured)
- 10-282-14 (50) Screws For Handle (not pictured)
- 10-286-14A Iron holder
- 10-282-15 Top sole plate & heat shield screws (50pcs, 04x10)



Roberts
Part # **Product Description**

HEAT BOND COOL SHIELD IRON, GROOVED, BLUE 10-482G

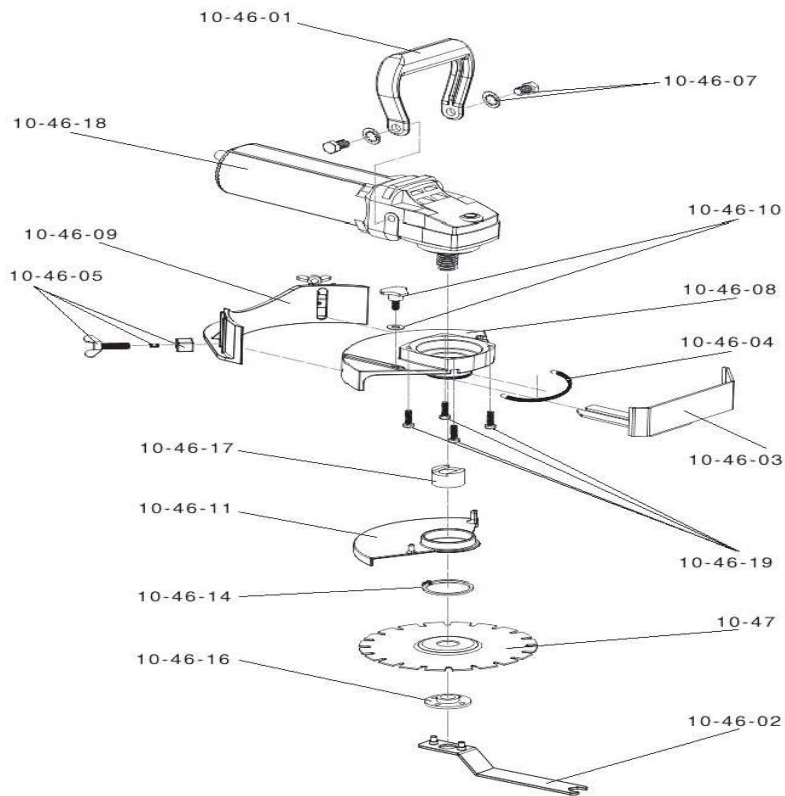
10-177-06	Iron Holder
10-482-01	Handle set (with screws) (7 pc)
10-282-02	Cord set with spring, connctr, 1/ea
10-282-03A	Thermostat 1/ea
10-482-04	Top sole plate (with screws) (5 pc)
10-482-06	Sole plate, Teflon bottom, grooved
10-482-07A	Internal wire set (complete 2 pc)
10-482-08	Calibration knob
10-482-09A	Heat Shield w/ (2) Screws & (1) Washer
10-482-10	Gasket (top of heat shield for handle mount)
10-482-11	Gasket (between heat shield and top of sole plate)
10-482-13A	Fused Wire Assembly (not pictured)
10-482-14	Handle screws (50pcs, button head screw 04x20, flat head)
10-482-15	Top sole plate & heat shield screws (50pcs, 04x10)



Roberts
Part # **Product Description**

Super Six 6" Jamb Saw 10-46

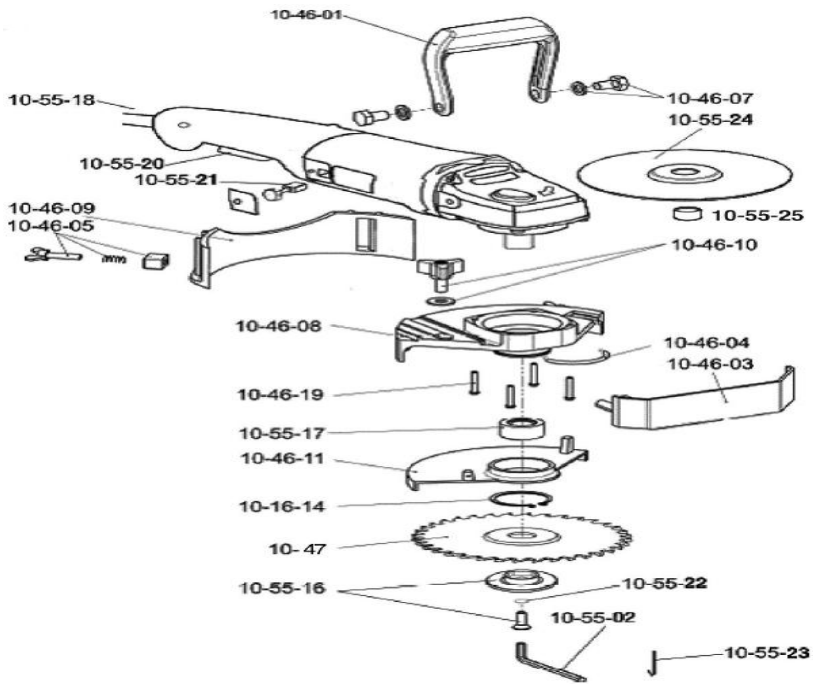
10-46-01	Handle
10-46-02	Spanner Wrench
10-46-03	Depth Gauge
10-46-04	RReturn Spring (3 pack)
10-46-05	Screws, Spacers, Spring (2 pack)
10-46-07	Handle Bolt & Lock Washer
10-46-08	Mounting Body
10-46-09	Height Adjustment Skirt
10-46-10	Screw Knob, Washer for Depth Gauge
10-46-11	Safety Guard
10-46-12	Return Spring (100 Bulk Pack) Not Shown
10-46-14	Snap Ring
10-46-16	Blade Retainer Nut
10-46-17	Arbor Spacer
10-46-18	Motor Unit
10-46-19	Mounting Screws (4 pack)
10-46-20	Replacement Switch
10-46-21	Carbon Brushes (2)
10-47	6-3/16" (158mm) Cupped Arbor, Carbide Tip Saw Blade



Roberts
Part # **Product Description**

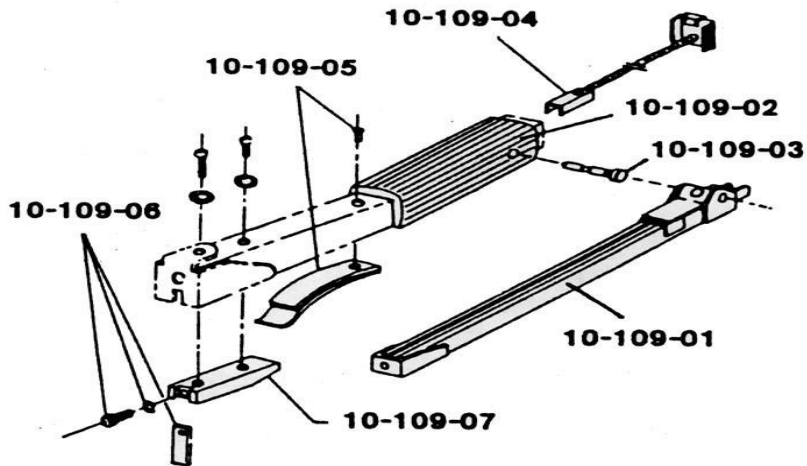
Long Neck 6" Jamb Saw 10-55

10-46-01	Handle
10-55-02	Allen® Wrench
10-46-03	Depth Gauge
10-46-04	Return Spring (2 pack)
10-46-05	Screws, Spacers, Spring (2 pack)
10-46-07	Handle Bolt & Lock Washer
10-46-08	Mounting Body
10-46-09	Height Adjustment Skirt
10-46-10	Screw Knob, Washer for Depth Gauge
10-46-11	Safety Guard
10-46-12	Return Spring (100 Bulk Pack) Not Shown
10-46-14	Snap Ring
10-55-16	Blade Clamp / Blade Screw
10-55-17	Arbor Spacer
10-55-18	Motor Unit
10-46-19	Mounting Screws (4 pack)
10-55-20	Replacement Switch
10-55-21	Carbon Brushes (2)
10-47-2	6-3/16" (158mm) Cupped Arbor, Carbide Tip Saw Blade
10-55-22	Washer
10-55-23	Tool for Disassembling Brushes
10-55-24	Masonry Blade
10-55-25	Masonry Blade Adapter



Roberts**Part #****Product Description****STAPLE HAMMER 10-109**

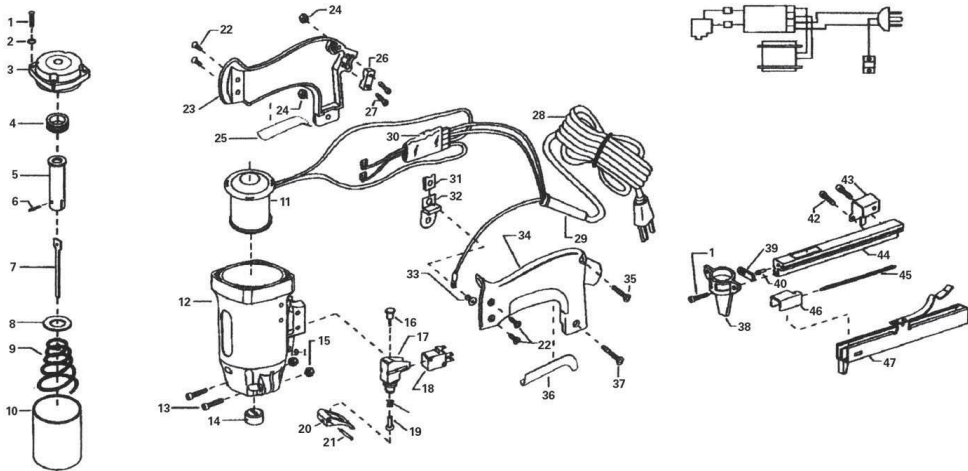
10-109-01	Magazine Assembly
10-109-02	Plastic Handle Grip
10-109-03	Assembly Pin
10-109-04	Feed Assembly Spring
10-109-05	Return Spring Kit
10-109-06	Driver Assembly Kit
10-109-07	Weight Balance Block



Roberts
Part # **Product Description**

3/16" Crown Electric Stapler 10-600

- 10-600-01 Cap assembly [1 Hex Bolt (4), 2 Washers (4) 3 Cap Casting]
- 10-600-02 Driver assembly [1 Hex Bolt (4), 2 Washers (4), 3 Cap Casting]
- 10-600-03 Solenoid assembly [8 Retaining Washer, 9 Return Spring, 10 Sleeve, 11 Coil Assembly w/ Lead Wires]
- 10-600-04 Head assembly [12 Head Casting, 13 Bolts (2), 14 Nose Bumper, 15 Lock Nuts]
- 10-600-05 Trigger assembly [16 Switch Plunger, 17 Switch Housing, 18 Switch, 19 Plunger, 20 Tripper, 21 Tripper Pin]
- 10-600-06 Handle assembly [22 Screws (2), 23 Handle (Right), 24 Nut, 25 Grip Insert (Right), 34 Handle (Left), 35 Bolts, 36 Grip Insert (Left) 37 Bolt]
- 10-600-07 Fuse holder assembly [26 Fuse Holder, 27 Screws (2)]
- 10-600-08 Cord assembly [28 Power Cord - 14 gauge, 29 Connector Jacket]
- 10-600-09 Power Supply
- 10-600-10 Nose Casting
- 10-600-11 Magazine assembly [39 Plate, 40 Pin, 42 Bolt, 43 Magazine Support, 44 Rack, 45 Spring, 46 Pusher, 47 Magazine Base]
- 10-600-12 Staple pusher spring [45 Spring, 46 Staple Pusher]
- 10-600-14 Spare Fuses [Set of 3 Fuses]



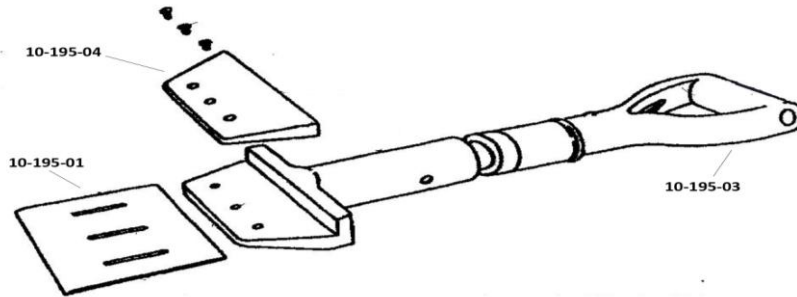
Roberts

Part #

Product Description

H.D. STAND-UP SCRAPER 10-195

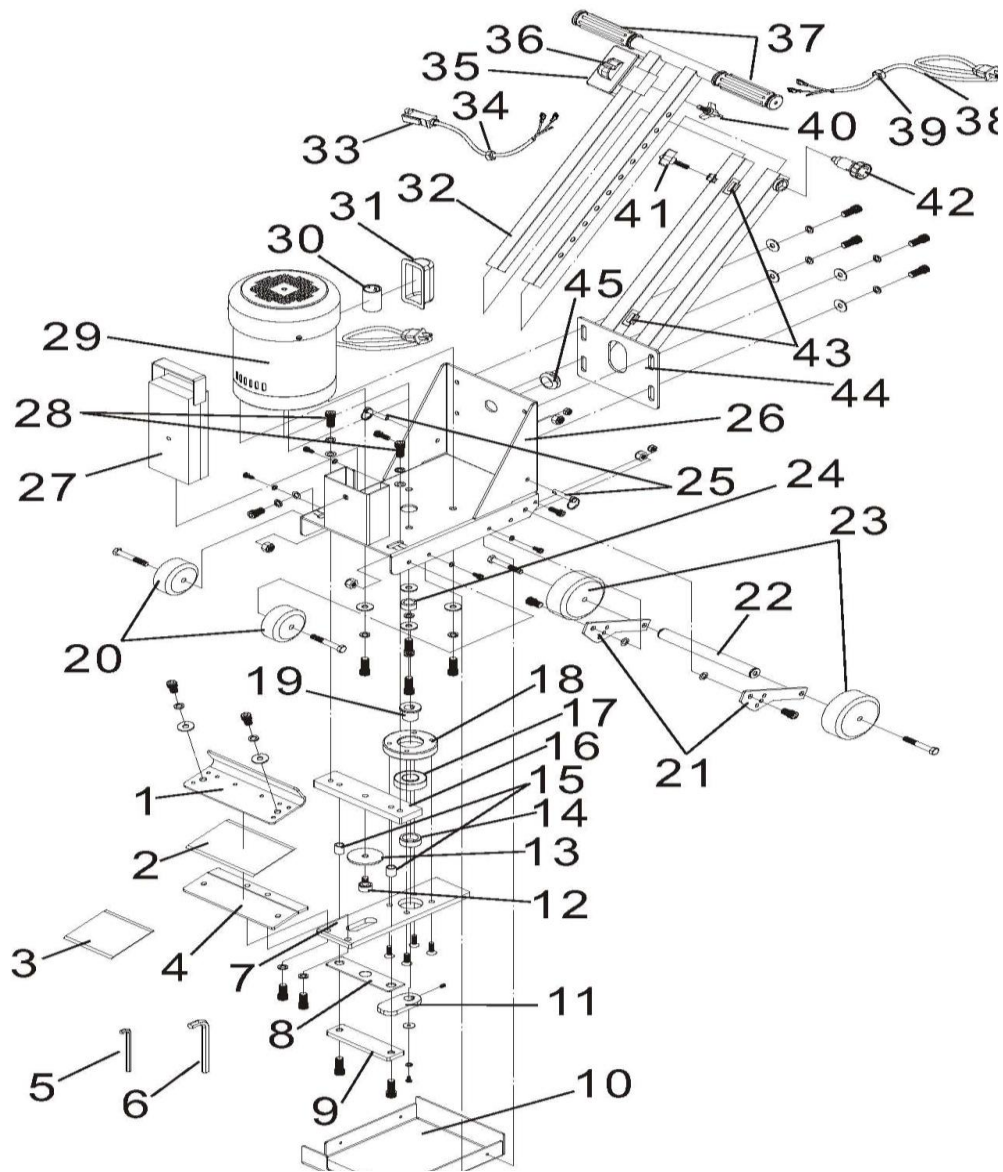
10-195-01	Scraper Blade (without screws)
10-195-03	Complete Handle assembly
10-195-04	Retainer Plate (with screws)



Roberts	Part #	Product Description
---------	--------	---------------------

FLOOR STRIPPER MACHINE 10-475

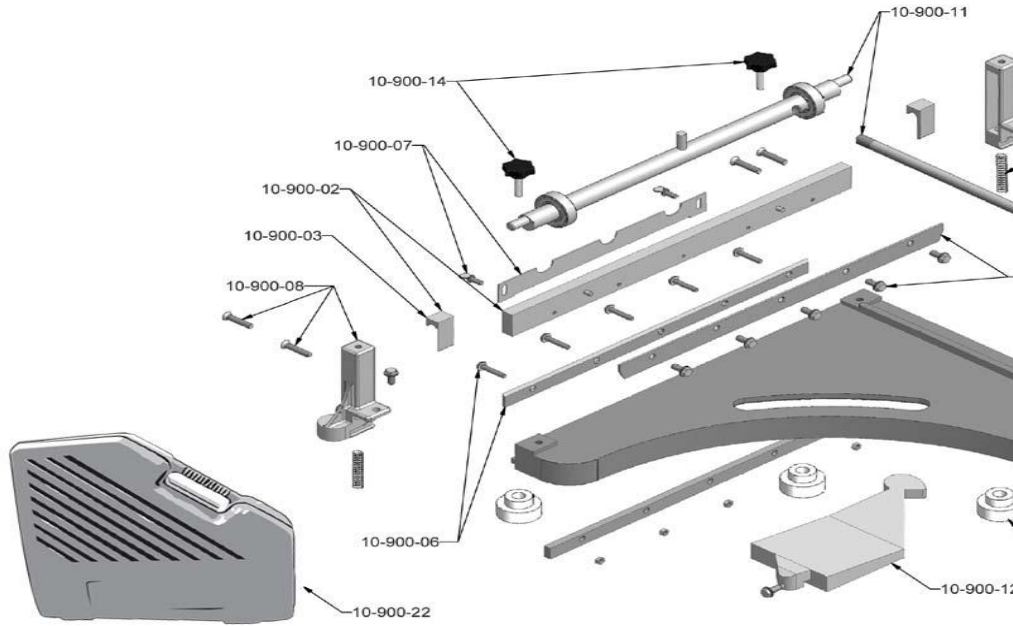
10-475-01	Blade Holder, Upper Plate
10-475-02	Blade Holder Base
10-475-03	Driver Arm
10-475-04	Driver Pivot Bearing Base Plate
10-475-05	Pivot Bearing Bottom Plate
10-475-06	Counter Balance, w/ set screw
10-475-07	Pivot Bearing
10-475-08	Pivot Bearing Upper Retainer
10-475-09	Pivot Bearing Spacers, (2)
10-475-10	Bottom Cover, w/ 4 Bolts
10-475-11	Eccentric Bearing Spacer
10-475-12	Eccentric Bearing Upper Plate
10-475-13	Eccentric Ball Bearing
10-475-14	Eccentric Bearing Housing
10-475-15	Eccentric Collar
10-475-16	Front Wheel Kit (2), w/ Bolts
10-475-17	Rear Wheel Adjustment Plates (2)
10-475-18	Rear Wheel Shaft
10-475-19	Rear Wheels (2)
10-475-20	Motor Shaft Spacer
10-475-21	Wheel Adjustment Pins (2)
10-475-22	Main Frame Assembly
10-475-23	Weight, 14 lbs, w/ Handle
10-475-24	Blade Adjustment (Pivot Slide) Bolts (2)
10-475-25	1 HP Motor, w/ Capacitor and Cord
10-475-26	Capacitor
10-475-27	Capacitor Cover
10-475-28	Upper Handle, With Grips
10-475-29	Cord Extension, w/ Security Grommet
10-475-31	Switch Box
10-475-32	Switch
10-475-33	Handle Grips
10-475-34	Power Cord, w/ Security Grommet
10-475-36	Switch Box Adjustment Knob
10-475-37	Handle Knob
10-475-38	Handle Adjust Lock
10-475-39	Cord Clip
10-475-40	Lower Handle Frame
10-475-41	Rubber Grommet
10-475-50	Blade, Double side, 4" x 4"
10-475-51	Blade, Double side, 4" x 6"
10-475-52	Blade, Double side, 4" x 9"
10-475-60	Allen Wrench – 5mm
10-475-61	Allen Wrench – 8mm



Roberts
Part # **Product Description**

12" VINYL TILE CUTTER 10-900

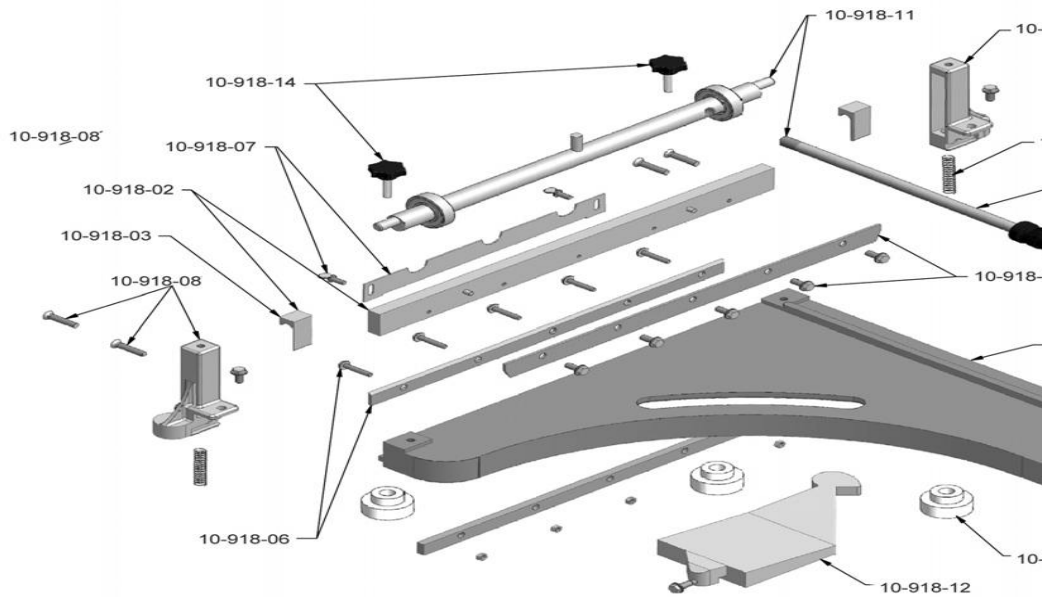
10-900-01	Base assembly
10-900-02	Blade carrier bar (with 10-900-03 pillow blocks)
10-900-03	Pillow blocks "L" shaped (set of 2)
10-900-04	Casters for the Base
10-900-05	Top cutting blade (with bolts)
10-900-06	Lower fixed blade (with bolts)
10-900-07	Floor guide (with 2 wing screws)
10-900-08	Left post (with screws)
10-900-09	Right post (with screws)
10-900-10	Return springs (set of 2)
10-900-11	Crankshaft with attached handle & grip
10-900-12	Tile Guide with wing screw
10-900-13	Rubber feet (set of 3) (attach for stationary use)
10-900-14	Crankshaft adjusting screw knobs (set of 2)
10-900-15	Handle grip (sold separately)
10-900-22	Carry case



Roberts
Part # **Product Description**

18" VINYL TILE CUTTER 10-918

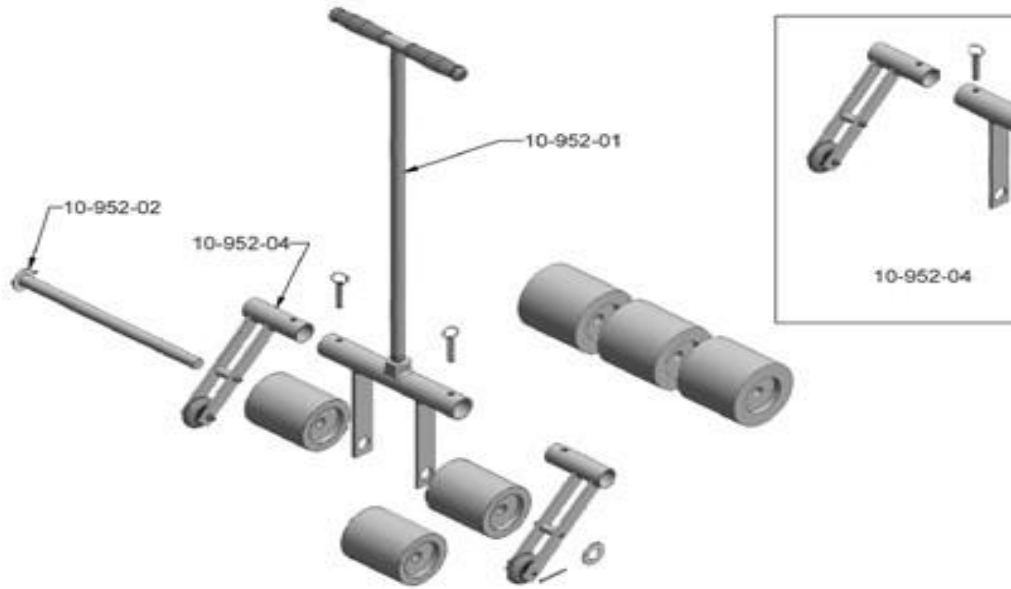
- 10-918-01 Base assembly
- 10-918-02 Blade carrier bar (with 10-900-03 pillow blocks)
- 10-918-03 Pillow blocks "L" shaped (set of 2)
- 10-918-04 Casters for the Base
- 10-918-05 Top cutting blade (with bolts)
- 10-918-06 Lower fixed blade (with bolts)
- 10-918-07 Floor guide (with 2 wing screws)
- 10-918-08 Left post (with screws)
- 10-918-09 Right post (with screws)
- 10-918-10 Return springs (set of 2)
- 10-918-11 Crankshaft with attached handle & grip
- 10-918-12 Tile Guide with wing screw
- 10-918-13 Rubber feet (set of 3) (attach for stationary use)
- 10-918-14 Crankshaft adjusting screwknobs (set of 2)
- 10-918-15 Handle grip (sold separately)



Roberts
Part # **Product Description**

LINOLEUM ROLLERS & TWIN ROLLER 10-935, 10-950, 10-952

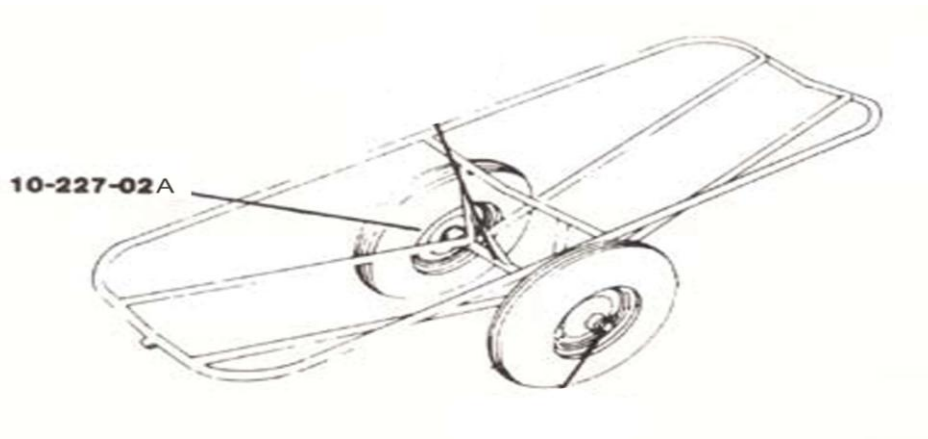
- 10-950-01 Extenders for 10-950
- 10-952-02 Axle, Washer & Cotton Pin
- 10-952-04 L inoleum Roller Upgrade Kit (Includes Central Yoke, left & right kickstands and two pins)
- 10-952-06 Connector Tube
- 10-952-10 Rubber Handle Grips (2)



Roberts
Part # **Product Description**

KARPET KART 10-227

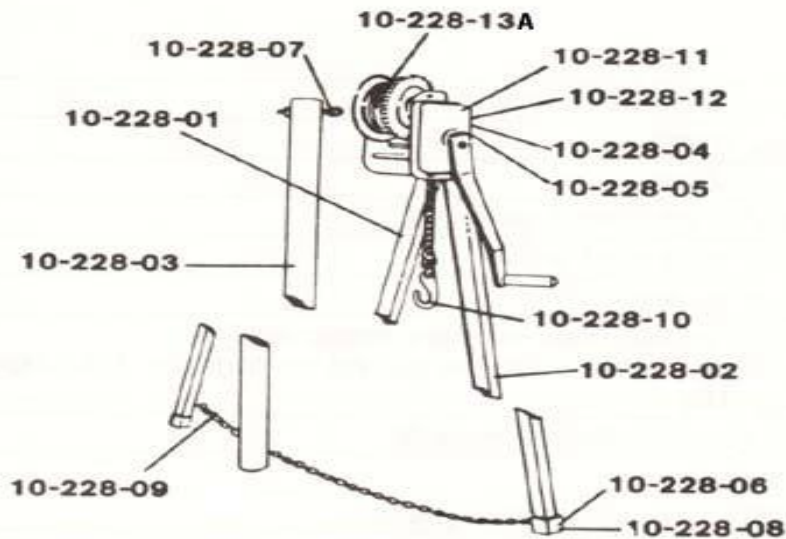
10-227-02A Mounted wheel assembly (wheel, tire & bearing, complete)



Roberts
Part # **Product Description**

KARPET KRANE 10-228

10-228-01	Stationary leg
10-228-02	Movable leg
10-228-03	Galvanized carpet lift tube 6'
10-228-04	3/8" hex head bolt, nut, lock washer
10-228-05	5/16" flat head bolt, nut, lock washer
10-228-06	Self-tapping screws, 1/2" (for chain)
10-228-07	4" eye bolt w/nut & lock washer
10-228-08	Rubber tips for legs w/steel insert
10-228-09	Safety chain
10-228-10	Synthetic cable w/hook attached
10-228-11	Triangular front plate 7 ga.
10-228-12	Triangular rear plate 10 ga.
10-228-13A	Brakewinch, 2,000 lb. capacity



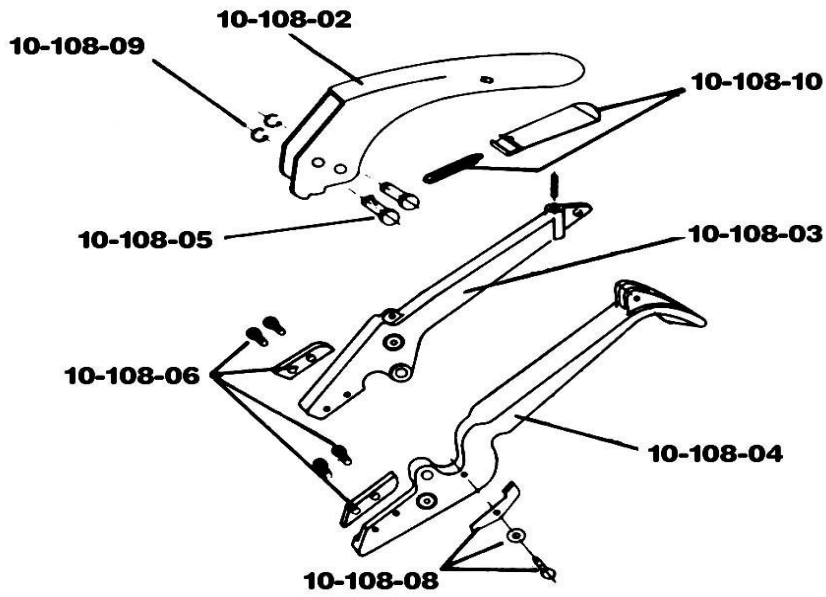
Roberts**Part #****Product Description****AIRGLIDE AIR DOLLY 10-480**

10-480-01	1.75 H.P Blower(Motor)
10-480-02	Air Dollie Sled (pair)
10-480-03	Hoses w/T-adaptors
10-480-04	Carrying Bag
10-480-05	Carpet Adaptor 8" x 36"(Set of 4)
10-480-06	Shoulder Strap
10-480-07	Motor End Cap
10-480-08	Motor Input Cap
10-480-09	Motor Fan only

Roberts
Part # **Product Description**

PROFESSIONAL 2" STRIP CUTTER 10-108

10-108-02	Handle+pivot pin (2)+c clip (2)
10-108-03	Upper jaw & screws
10-108-04	Lower jaw & pin
10-108-05	Handle pivot pins (2)
10-108-06	Blade clamps (2) & screws (4)
10-108-08	Handle catch,washer & rivet
10-108-09	"C" clips (2)
10-108-10	Blade container spring

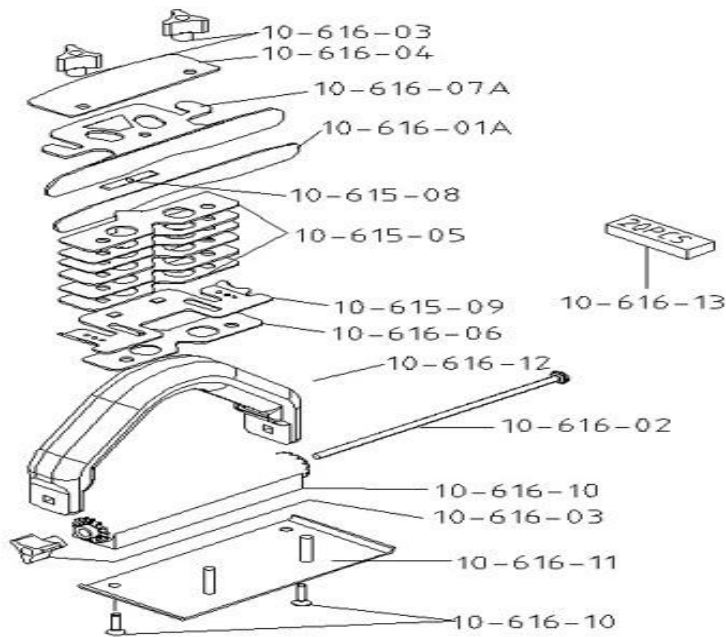


Roberts	
Part #	Product Description
LOOP PILE CUTTER 10-152-3 AND CUSHION BACK CUTTER 10-146-3	
10-146-01	Wing screws (12) for 10-146/10-152 " Black Handle "
10-146-03	Cutter Knobs & Washers (12) for 10-146/10-152 " Red Handle "
10-146-04	Repl. Handle (left, right halves, 3 screws & plug)
10-152-01	Loop pile cutter parts kit "Black Handle " version (1 knob, 1 wing screw, 1 retainer ring, 1 collar, 1 washer)
10-152-04	Repl. Handle (left, right halves, 3 screws & plug)

Roberts
Part # **Product Description**

G.T. CONVENTIONAL CARPET/WALL TRIMMER 10- 616

10-616-01A	Delrin Guide (12pk)
10-616-02	Bolt for Fold Down Handle
10-616-03	Knobs
10-616-04	Name Plate
10-615-05	Trimmer Spacers(Set of 6)
10-616-06	Black Spacer
10-616-07A	Blade Guide with Blade Clip, Rivet
10-615-08	Blade Clip and Rivet
10-615-09	L ocking Plate
10-616-10	Mount and Screw
10-616-11	Base Plate
10-616-12	Trimmer Folding Handle

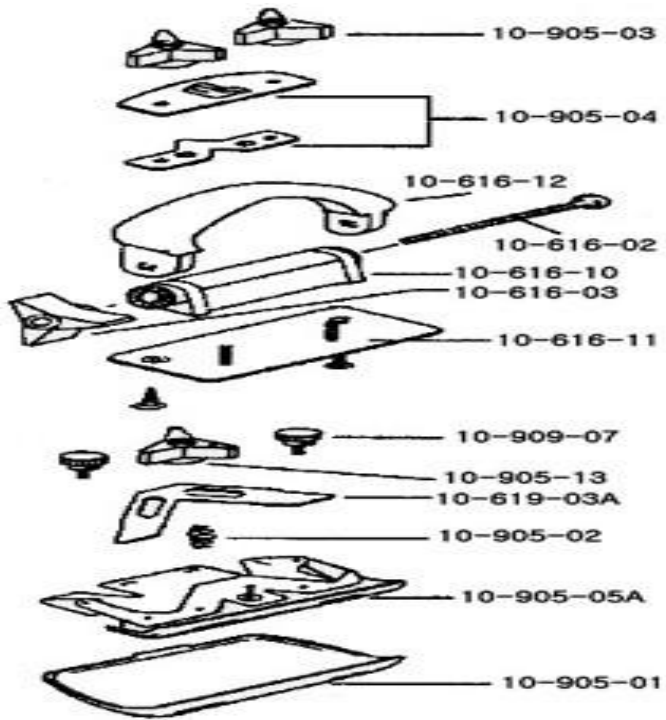


Roberts

Part # Product Description

G.T. RESILIENT AND CUSHION BACK WALL TRIMMER 10-905

10-616-02	Handle bolt
10-616-03	Knobs
10-616-10	Mount and Screws, 2pcs
10-616-11	Base Plate
10-616-12	Folding handle, RED
10-619-03A	Blade clamp
10-905-01	Anti-friction boot
10-905-02	Coil spring
10-905-03	Handle and Base Plate K nobs (2)
10-905-04	Golden Touch name plate & spacer
10-905-05A	Hinged assembly
10-905-13	Adjustment knob & washer



Roberts
Part # **Product Description**

G.T. ONE -STEP CARPET TRIMMER 10-621GT

10-616-02	Bolt for Fold Down Handle
10-616-03	Name Plate Knobs, Pair
10-615-05	Natural Spacers, 6pcs
10-616-06	Black Spacer
10-615-08	Blade Clip and Rivet
10-615-09	Locking Plate
10-616-10	Handle Mount and 2pcs Screws
10-616-12	Folding Handle

