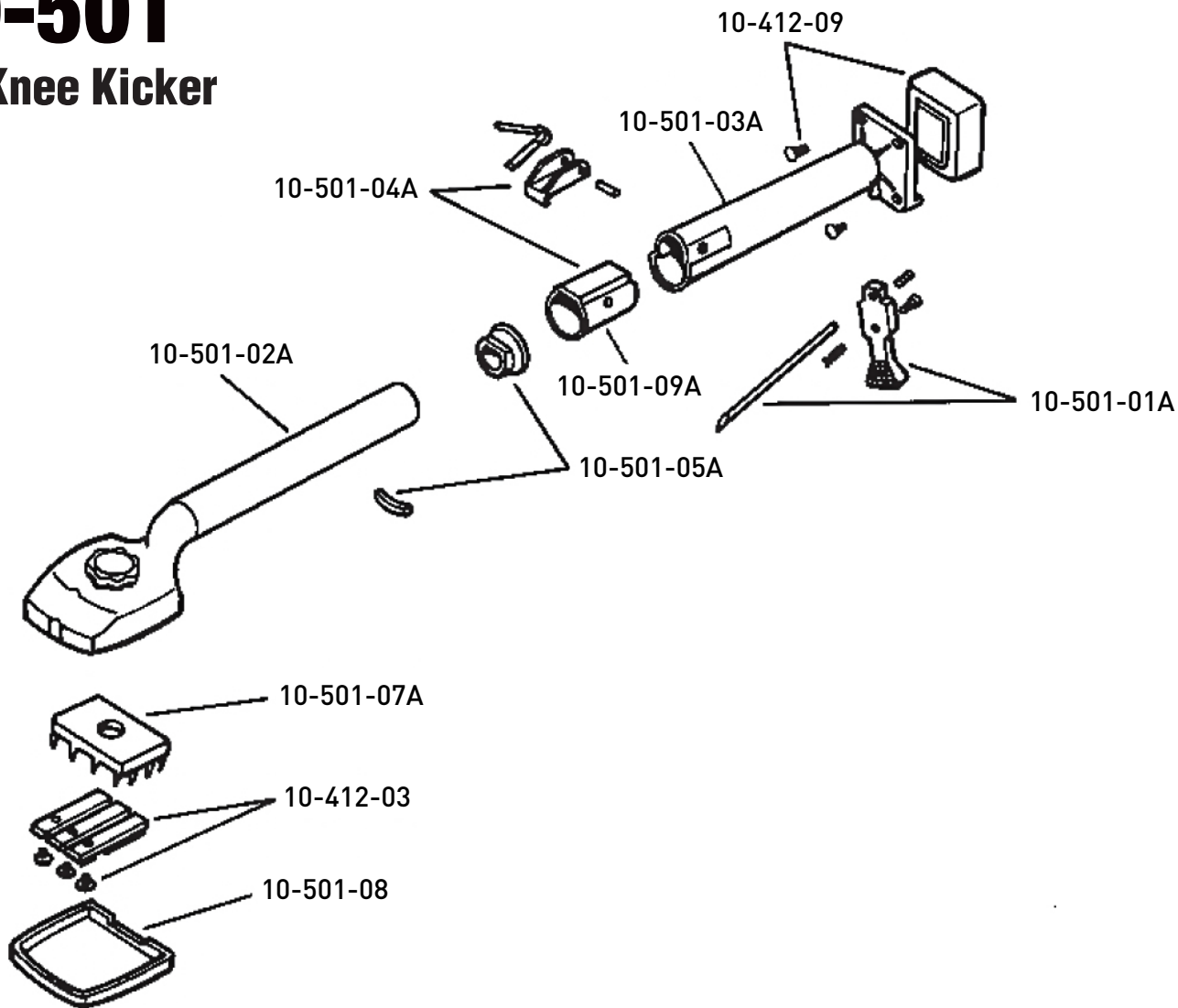


10-501

GT Knee Kicker



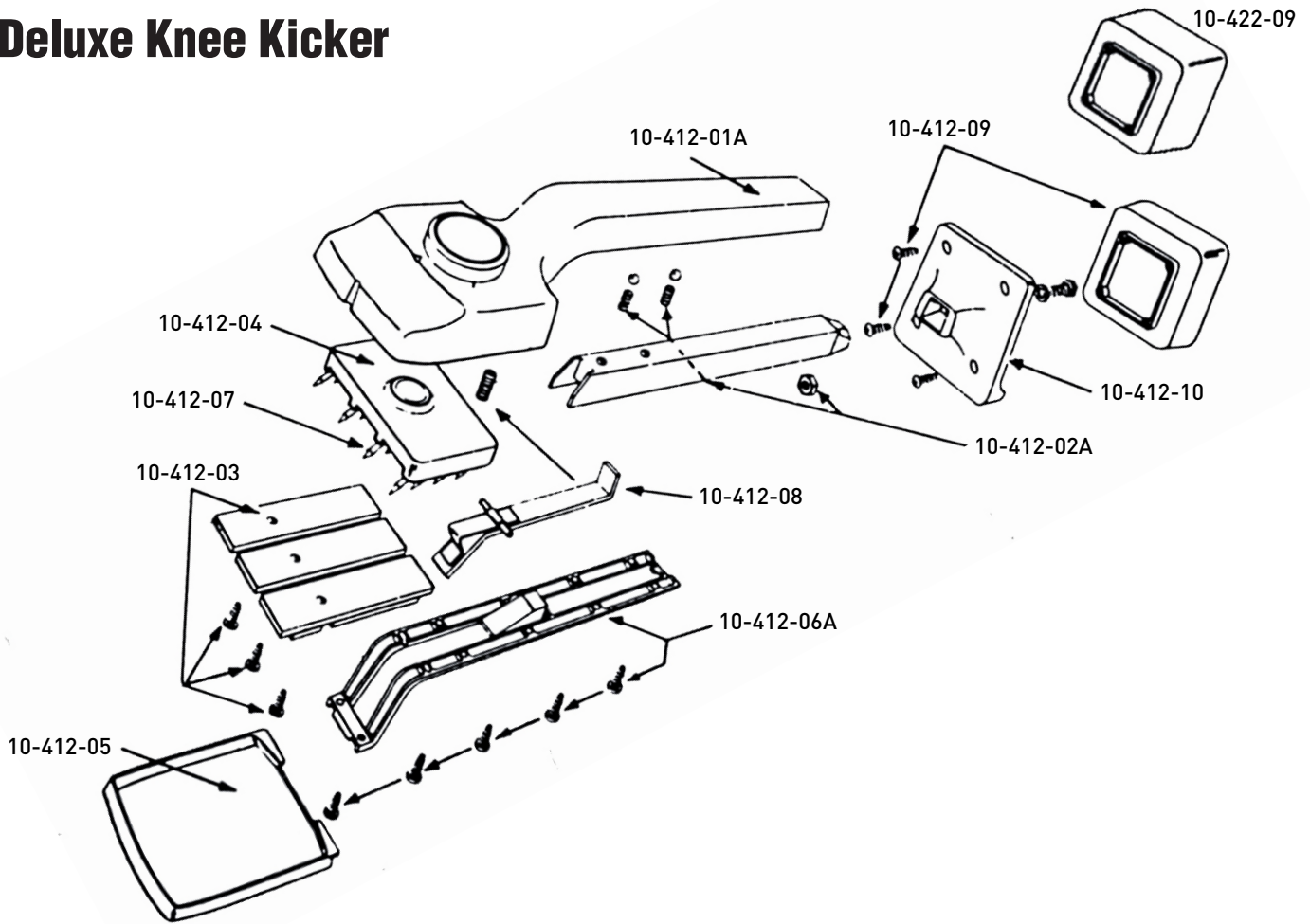
REPLACEMENT PARTS LIST

Part #	Description
10-412-03	Nap Grip Inserts (with 3 screws)
10-412-09	Bumper Body Assembly
10-412-11	Nap Grip Insert Screws
10-412-12	Bumper Screws
10-501-01A	Trigger Spring, Screw, Set Screw Rod
10-501-02A	Head and Tube Assembly

Part #	Description
10-501-03A	Bumper Body Assembly and Trigger
10-501-04A	Pawl, Spring, Screw, Set Screw Rod
10-501-05A	Collar and Retaining Key
10-501-07A	Base Plate Assembly
10-501-08	Pin Cover
10-501-09A	Anti-Rotation Ring

10-412-2

Deluxe Knee Kicker



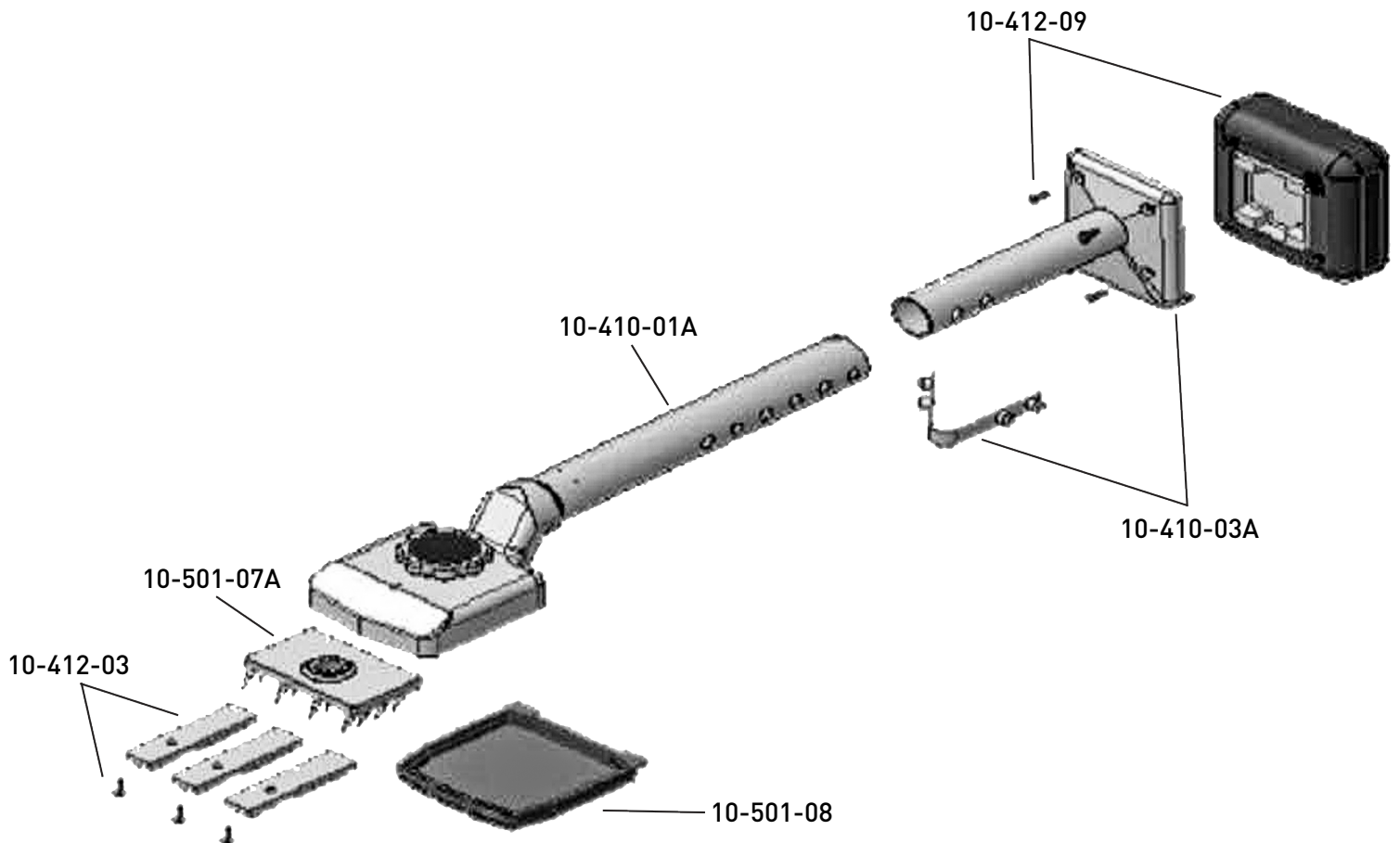
REPLACEMENT PARTS LIST

Part #	Description
10-412-01A	Main Body & Dial Assembly
10-412-02A	Extension Channel
10-412-03	Nap Grip Inserts (set of 3 with screws)
10-412-04	Base Plate Assembly
10-412-05	Pin Cover
10-412-06A	Bottom Plate (with 10 screws)

Part #	Description
10-412-07	Kicker Teeth
10-412-08	Trigger Assembly (with spring)
10-412-09	Bumper Assembly (with 4 screws)
10-412-10	Bumper Body
10-422-09	3 in. Bumper Pad (with 4 screws)

10-410

Adjustable Knee Kicker



REPLACEMENT PARTS LIST

Part #	Description
10-410-01A	Tube And Head Assembly
10-410-03A	Bumper Body and Tube Assembly
10-412-03	Nap-Grip Inserts (set of 3 with screws)

Part #	Description
10-412-09	2" Thick Bumper Pad (with 4 screws)
10-501-07A	Base Plate Assembly
10-501-08	Pin Cover